

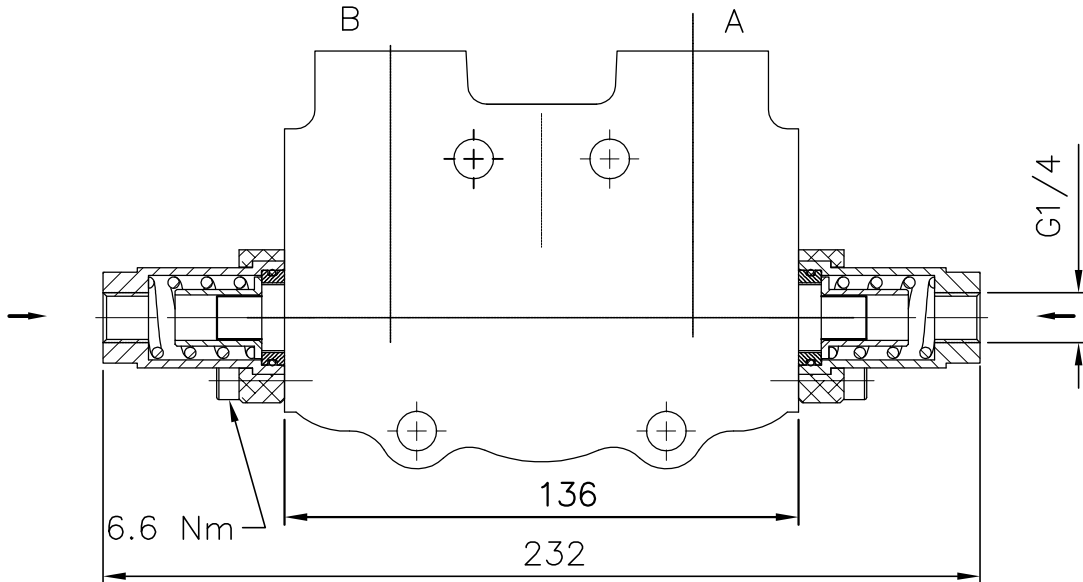
Распределитель гидравлический PC 100
 Directional control valve PC 100

H – proportional hydraulic control code – H2

DESCRIPTION

For starting, controlling and stopping the working oil between the Generator of the pressured flow, the Consumers and the Tank

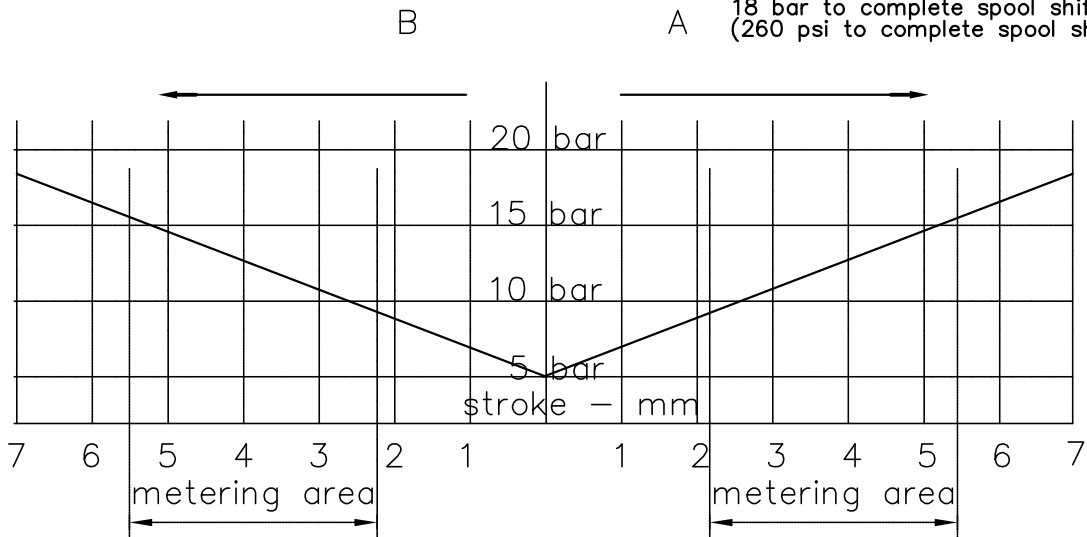
* It can be used with special spools and standard body



Pilot pressure – stroke diagram
 max. pilot pressure 30 bar

Pilot pressure range PC100
 (oil pilot operated)

5 bar to begin spool shift
 (72 psi to begin spool shift)
 18 bar to complete spool shift
 (260 psi to complete spool shift)



Metering curve

Flow characteristics /
 spool travel

